

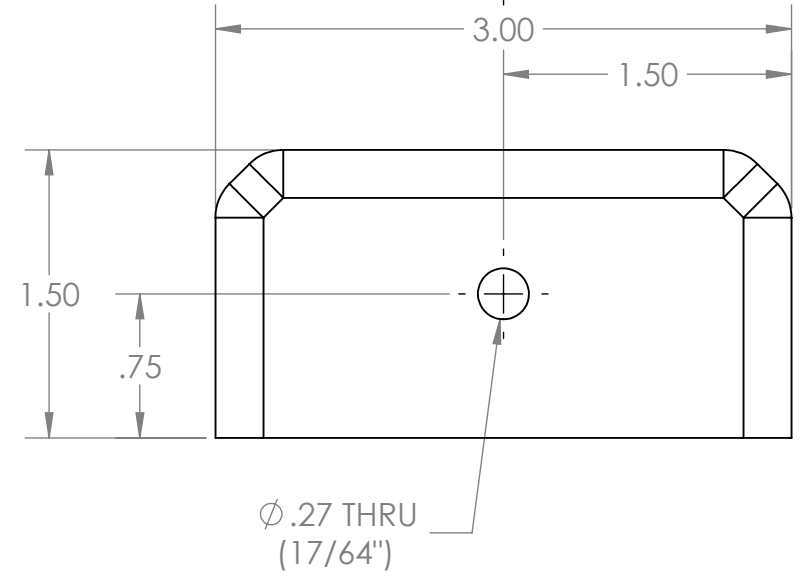
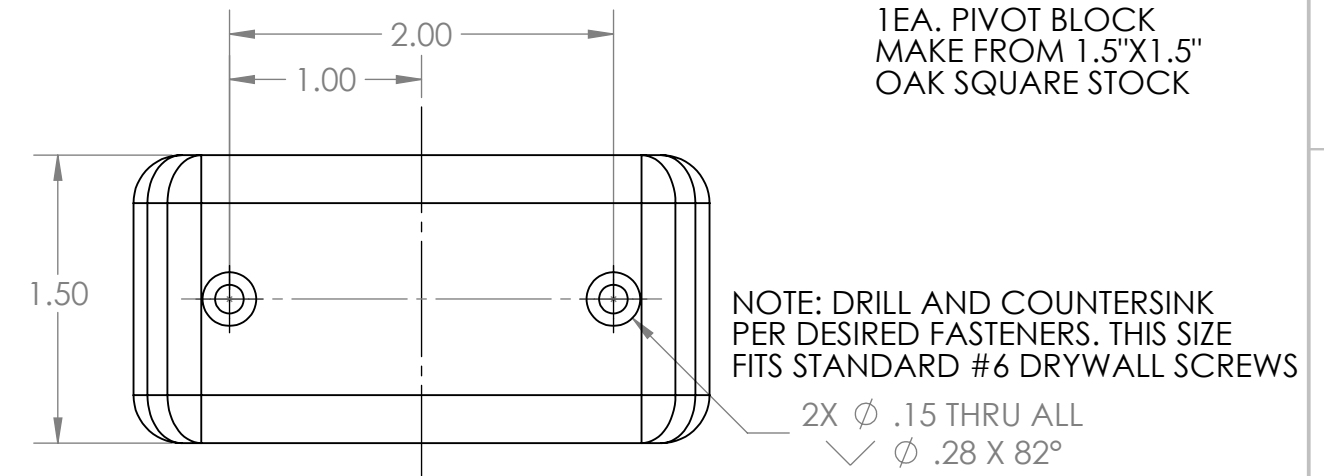
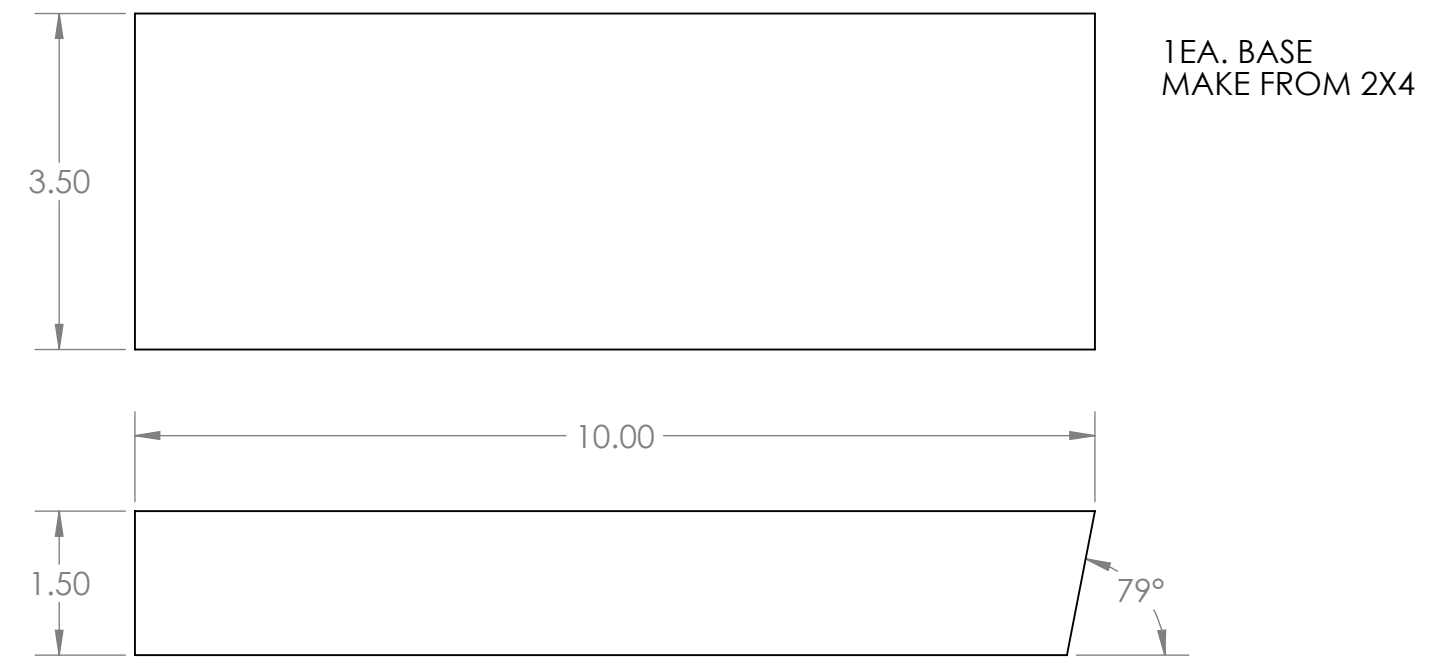
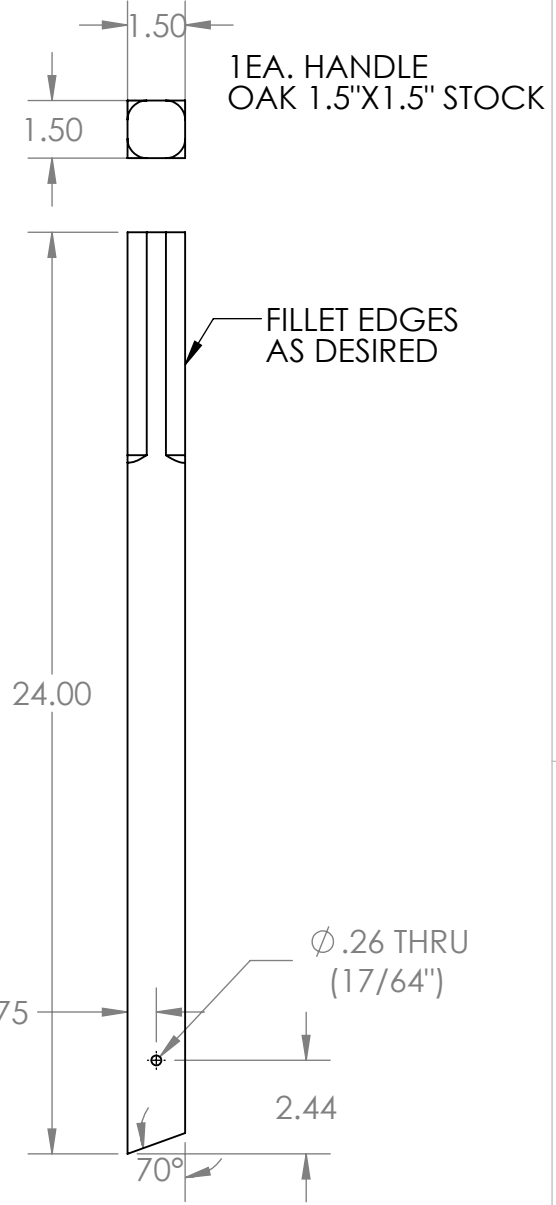
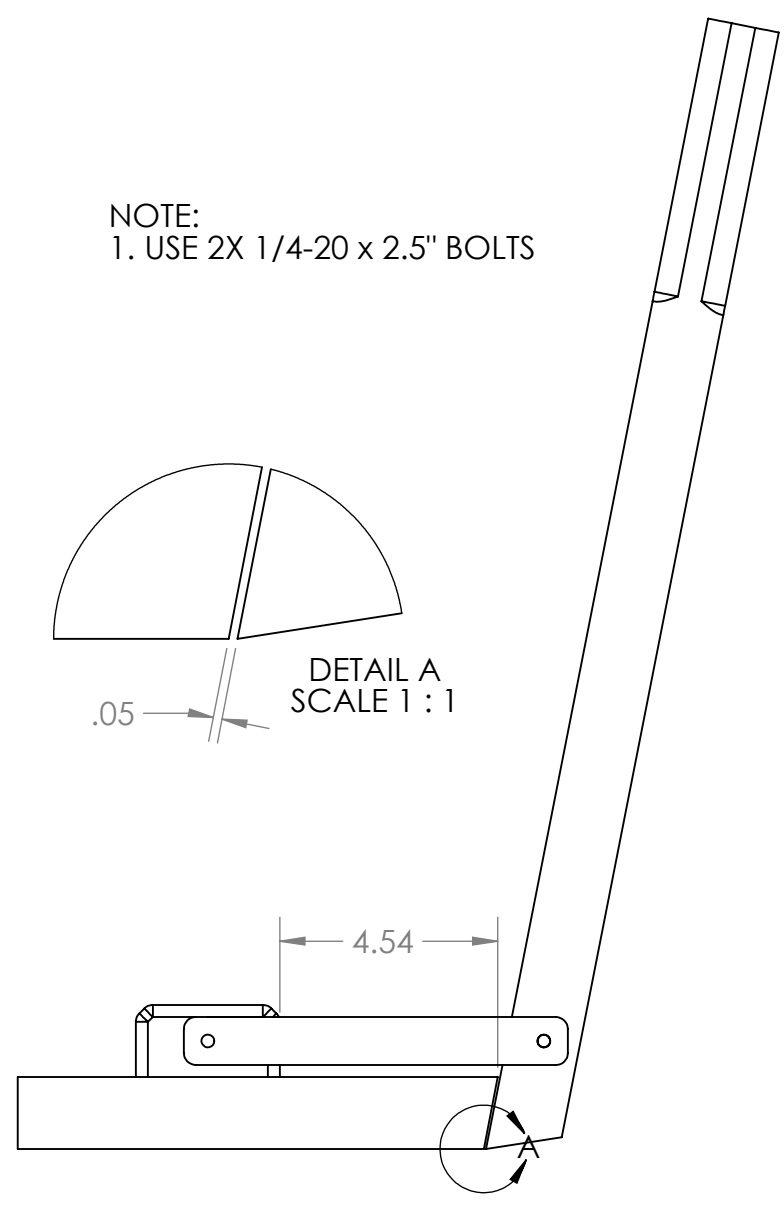
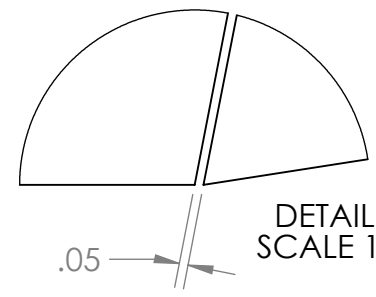
4

3

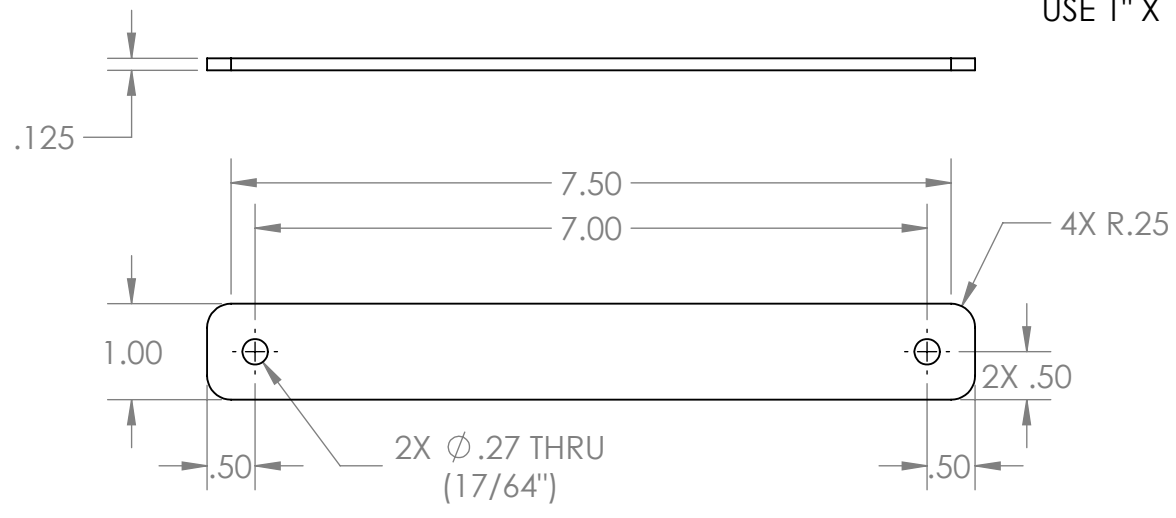
2

1

NOTE:
1. USE 2X 1/4-20 x 2.5" BOLTS



2EA. ARMS
USE 1" X 1/8" ALUMINUM BAR



DATE:		6/6/2020	
TITLE:			
RIB FLANGE STRAIGHTENING TOOL			
SIZE	DWG. NO.	REV	
B	RibTool	A	
SCALE: 1:8		WEIGHT:	SHEET 1 OF 1

4

3

2

1

B

B

A

A